

full-bridge (426x827x24b bmp)

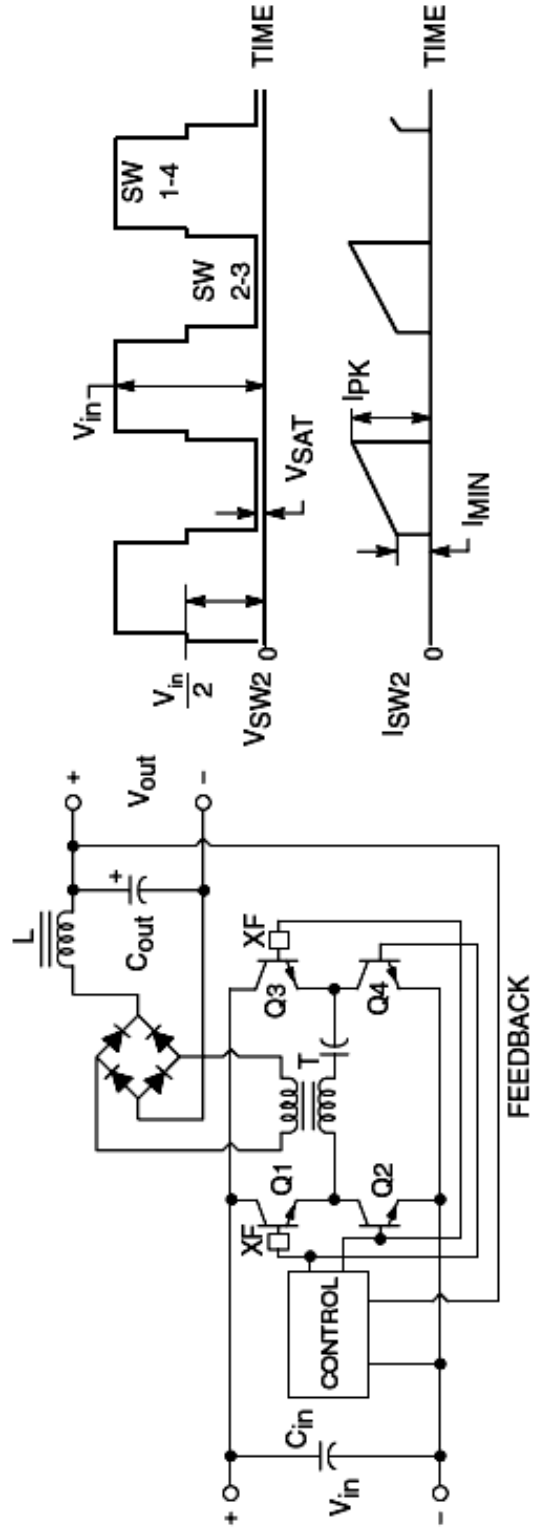


Figure 12. The Full-Bridge Regulator Topology